



SmartRail

0-10V or 4-20mA Analog Output Modules

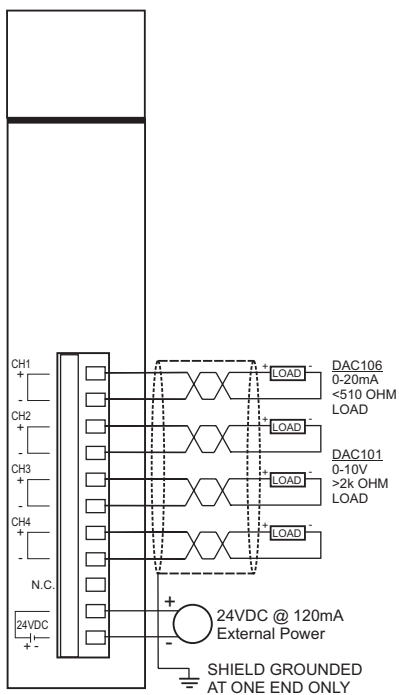
HE599DAC101 (voltage) & HE599DAC106 (current)

12-Bit Resolution

1 Specifications

Specifications		
	DAC101	DAC106
Number of Channels	4	
Output Range(s)	0-10V	0-20mA, 4-20mA
Absolute Maximum Output	DC ±15V	DC ±25mA
Resolution	12-Bit (2.5mV)	12-bit (5uA, 4uA)
Maximum Load	>2kΩ	<510Ω
Accuracy	< +/-0.5%	
Isolation	500V (backplane)	
Conversion Time	1mS/ch	
Backplane Power Consumed	110mA @ 5V	
External Power Required	62mA @ 24V	120mA @ 24V
Terminal Type	Screw Type, Removable 11-posn	
Storage Temp.	-25° to 70° Celsius	
Operating Temp.	-0° to 55° Celsius	
Relative Humidity	5 to 95% Non-condensing	
Dimensions WxHxD	20mm x 90mm x 60mm 0.79" x 3.54" x 2.36"	
Weight	64g (2.3 oz.)	70g (2.5oz.)
CE & UL Compliance	CE, UL & C-UL	

2 Wiring – I/O



3 Configuration DATA

The SmartRail Analog Output modules have a variety of parameters configured on a channel-by-channel basis. These parameters are set using Cscape (9.1 or later), and are listed below:

Cscape Configuration Data – Selectable per channel		
Parameter	DAC101	DAC106
Hold Last State	Hold Last State	
	Go to Minimum	
	Go to Mid-range	
	Go to Maximum	
Analog Output Range	0-10V	4-20mA
		0-20mA

3.1 Output Scaling

The SmartRail Analog Outputs scale digital values from 0-4000, to the analog value (0-10V, 0-20mA, or 4-20mA). For every digital count the output is incremented, the analog output value will increment an appropriate amount (2.5mV for 0-10V, 5uA for 0-20mA, 4uA for 4-20mA).

4 Installation / safety

Warning: Remove power from the OCS controller and any peripheral equipment connected to this local system before adding or replacing this or any module.

- a. All applicable codes and standards should be followed in the installation of this product.
- b. Shielded, twisted-pair wiring should be used for best performance.
- c. Shields should be grounded at one end only, preferably at the end providing the best noise shunting.
- d. Use the following wire type or equivalent: Belden 8441.

For detailed installation and a handy checklist that covers panel box layout requirements and minimum clearances, refer to the hardware manual of the controller you are using.

When found on the product, the following symbols specify:



7 Technical Support

Technical Support at the following locations:

<p>North America: Tel: 317 916-4274 Fax: 317 639-4279 Web: http://www.heapg.com Email: techsptp@heapg.com</p>	<p>Europe: Tel: +353-21-4321266 Fax: +353-21-4321826 Web: http://www.horner-apg.com Email: tech.support@horner-apg.com</p>
---	--

No part of this publication may be reproduced without the prior agreement and written permission of Horner APG, Inc. Information in this document is subject to change without notice.

DAC LED Status Indication	
LED	Meaning
RUN	ON = Normal Operation
	FLASH = I/O Error
	OFF = No Power or I/O Error