



# SmartRail

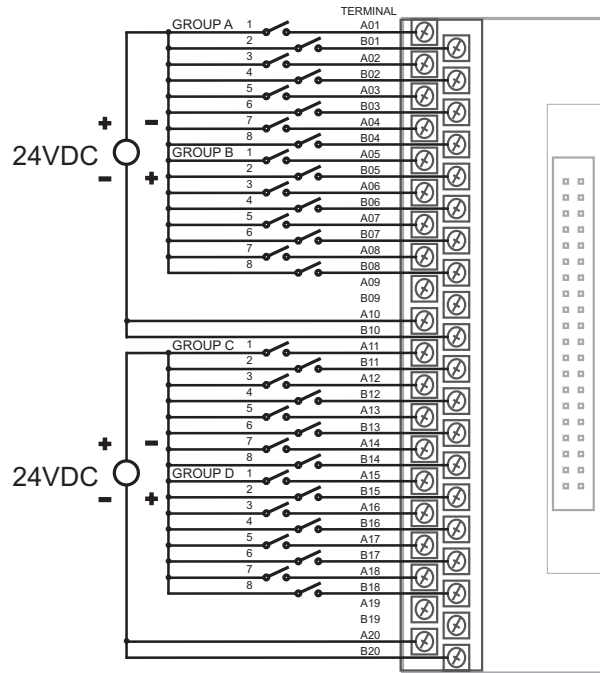
## 24VDC Input Modules

### HE599DIM510 (8pt), HE599DIM610 (16pt), HE599DIM710 (32pt)

#### Positive/Negative Logic

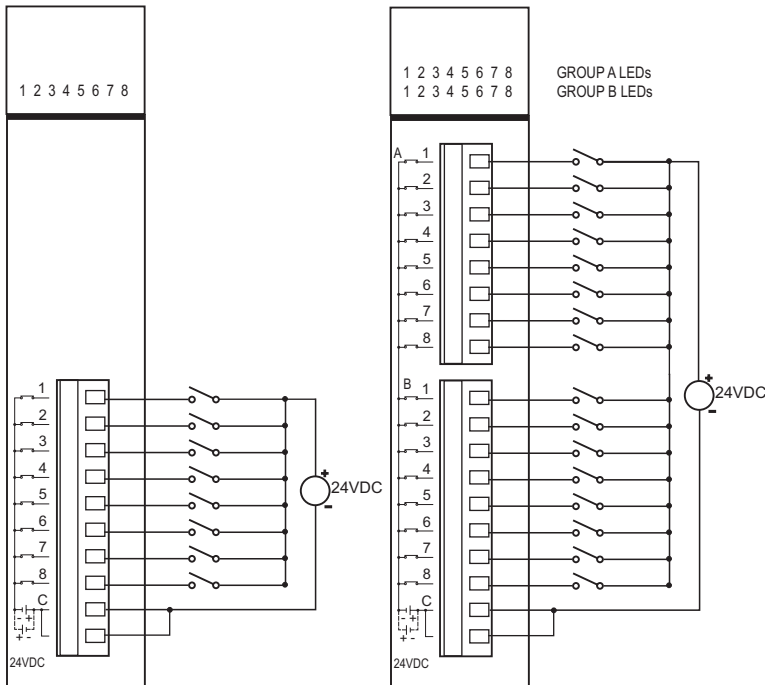
**1 Specifications**

Specifications			
	DIM510	DIM610	DIM710
Number of Inputs	8	16	32
Commons per Module	1		
Input Voltage Range	24 VDC (20.4 – 28.8 VDC)		
Rated Input Current	About 4mA		
Input Resistance	Approx. 5.6kΩ		
Isolation	500VDC or greater		
ON Voltage (Current) Level	>19VDC (>3mA)		
OFF Voltage (Current) Level	<6VDC (<1mA)		
Response Time	Configurable for 1/3/5/10/20/70/100mS (3mS default)		
LED indication	Labeled 1-8 for each input group		
Backplane Power Consumed @5V (all inputs on)	30mA	40mA	50mA
Terminal Type	Screw Type, Removable		IDE male header
Number of Terminals	10posn	8posn + 10 posn	40-pins
General Specifications			
	DIM510	DIM610	DIM710
Storage Temp.	-25° to 70° Celsius		
Operating Temp.	-0° to 55° Celsius		
Relative Humidity	5 to 95% Non-condensing		
Dimensions WxHxD	20mm x 90mm x 60mm 0.79" x 3.54" x 2.36"		
Weight	40g (1.4oz.)	52g (1.8oz.)	60g (2.1oz.)
CE & UL Compliance	CE, UL & C-UL		



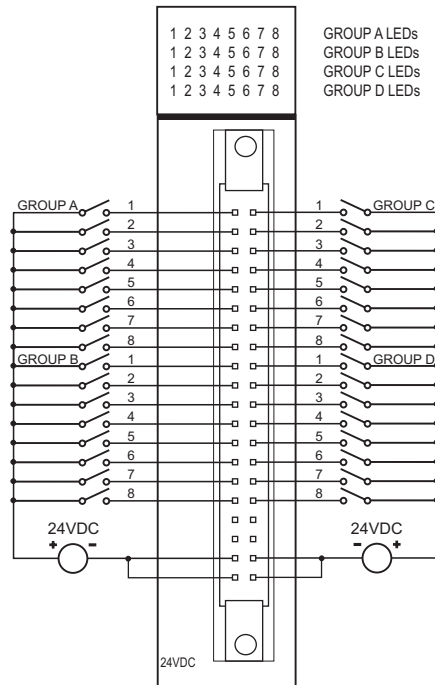
DIM710 Wiring (SmartLink Terminal Strip)

**2 Wiring – I/O**



DIM510 Wiring

DIM610 Wiring



DIM710 Wiring  
40pin IDE Header cannot be directly wired. SmartLink Terminal Strip recommended

**2.1 Input Wiring Terminals**

Group	Input	DIM510 Terminal	DIM610 Terminal	DIM710 Pin
A	1	10posn – Terminal 1	8posn – Terminal 1	B20
	2	10posn – Terminal 2	8posn – Terminal 2	B19
	3	10posn – Terminal 3	8posn – Terminal 3	B18
	4	10posn – Terminal 4	8posn – Terminal 4	B17
	5	10posn – Terminal 5	8posn – Terminal 5	B16
	6	10posn – Terminal 6	8posn – Terminal 6	B15
	7	10posn – Terminal 7	8posn – Terminal 7	B14
	8	10posn – Terminal 8	8posn – Terminal 8	B13
Commons		10posn – Terminal 9	10posn – Terminal 9	B02
		10posn – Terminal 10	10posn – Terminal 10	B01
B	1	N/A	10posn – Terminal 1	B12
	2		10posn – Terminal 2	B11
	3		10posn – Terminal 3	B10
	4		10posn – Terminal 4	B09
	5		10posn – Terminal 5	B08
	6		10posn – Terminal 6	B07
	7		10posn – Terminal 7	B06
	8		10posn – Terminal 8	B05
C	1	N/A	N/A	A20
	2			A19
	3			A18
	4			A17
	5			A16
	6			A15
	7			A14
	8			A13
D	1	N/A	N/A	A12
	2			A11
	3			A10
	4			A09
	5			A08
	6			A07
	7			A06
	8			A05
Commons		N/A	N/A	A02
No Connect		N/A	N/A	A01
				B04
				B03
				A04
				A03

**Note:** Groups A, B, C & D are share the same common

**2.2 SmartLink Wiring Accessories**

The DIM710 32-pt DC Input module utilizes a 40pin IDC male connector for user connections. SmartLink Wiring Accessories can be used with the DIM710 to provide a more convenient wiring method. These consist of a DIN-rail mounted 40position terminal strip, connected to the front of the DIM710 with a 40pin round cable. This cable is available in 0.5m or 2.0m lengths. The table below lists the part numbers for the SmartLink Wiring Accessories compatible with the HE599DIM710 input module.

SmartLink Wiring Accessories	
Description	Part Number
40pin DIN-rail mounted Terminal Strip	HE599TRM040
40pin Cable, 0.5m	HE599CBL040
40pin Cable, 2.0m	HE599CBL240

**3 Configuration DATA**

The SmartRail digital input modules feature a configurable input filter, set in Cscape (9.1 or later):

Cscape Configuration Data – Selectable per Module	
Parameter	Selections
Input Response	1ms
	3ms
	5ms
	10ms
	20ms
	70ms
	100ms

**4 Installation / safety**

**Warning:** Remove power from the OCS controller and any peripheral equipment connected to this local system before adding or replacing this or any module.

a. All applicable codes and standards should be followed in the installation of this product.

For detailed installation and a [handy checklist](#) that covers panel box layout requirements and minimum clearances, refer to the hardware manual of the controller you are using.

When found on the product, the following symbols specify:



**7 Technical Support**

Technical Support at the following locations:

<b>North America:</b> Tel: 317 916-4274 Fax: 317 639-4279 Web: <a href="http://www.heapg.com">http://www.heapg.com</a> Email: <a href="mailto:techsppt@heapg.com">techsppt@heapg.com</a>	<b>Europe:</b> Tel: +353-21-4321266 Fax: +353-21-4321826 Web: <a href="http://www.horner-apg.com">http://www.horner-apg.com</a> Email: <a href="mailto:tech.support@horner-apg.com">tech.support@horner-apg.com</a>
--	---

No part of this publication may be reproduced without the prior agreement and written permission of Horner APG, Inc. Information in this document is subject to change without notice.